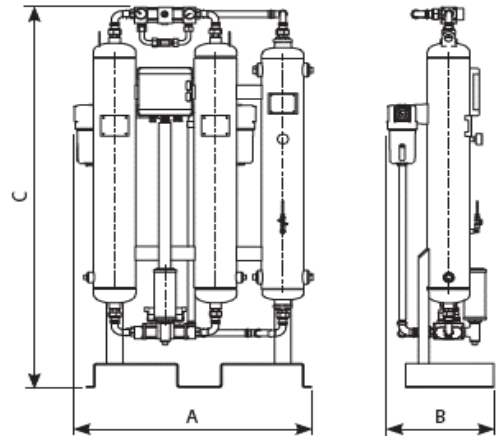


# COAIRE

## B-DRY BM

HEATLESS REGENERATED ADSORPTION COMPRESSED AIR DRYERS

operating 4 to 16 bar



**INCLUDED**  
 - pre-filter with automatic drain AOK16B and manometer MDM 40,  
 - after-filter with manual drain MCD and manometer MDM 40.  
 - Siemens LOGO controller.

B-DRY SERIES								
B-DRY MODEL	CODE	Connection IN/OUT [inch]	Nominal volume flow		Dimensions			Mass kg
			Inlet <sup>1</sup> [Nm <sup>3</sup> /h]	Outlet <sup>2</sup> [Nm <sup>3</sup> /h]	A [mm]	B [mm]	C [mm]	
B-DRY BM 110	12001810	G1	110	86,0	1647	945	422	20
B-DRY BM 150	12001811	G1	150	117,5	1897	945	422	25
B-DRY BM 200	12001812	G1	200	157,0	1664	1045	471	36
B-DRY BM 250	12001813	G1	260	204,0	1914	1045	471	45
B-DRY BM 300	12001814	G1 1/2	320	251,0	1742	1230	535	57
B-DRY BM 400	12001815	G1 1/2	410	321,5	1989	1230	535	70
B-DRY BM 600	12001816	G1 1/2	590	462,5	2051	1370	671	102
B-DRY BM 800	12001817	G2	770	603,5	2080	1520	701	134
B-DRY BM 1000	12001818	G2	1,000	784,0	2140	1615	701	164
B-DRY BM 1200	12001819	G2	1,152	903,2	2185	1805	701	215

(<sup>1</sup>) Refers to 1 bar(a) and 20 °C at 7 bar operating pressure , inlet temperature 35 °C and pressure dew point at outlet —40 °C

(<sup>2</sup>) Outlet flow refers to typical assumption during regeneration phase for operating at nominal inlet flow conditions. Outlet flow includes average air losses of approximately 17,3 %.

\* If dryer is supplied without inlet filter compressed air class 1 (ISO 8753-1) for solid particles and oil should be provided to the inlet of the dryer.

### OPTIONAL EQUIPMENT

EQUIPMENT TYPE	CODE
Dew point sensor Easidew	2505872
Dew point sensor measurement chamber	2505628
Output 4...20 mA	2506522
WebServer Access	2506523
Sensor Sensor set for O2, CO and CO2	2001178



Sensor set for O2, CO and CO2

### OPERATING PRESSURE - CORRECTION FACTORS - C<sub>OP</sub>

Operating pressure [bar]	4	5	6	7	8	9	10	11	12	13	14	15	16
Operating pressure [psi]	58	72	87	100	115	130	145	160	174	189	203	218	232
Correction factor	0.63	0.75	0.88	1	1.13	1.25	1.38	1.50	1.63	1.75	1.88	2.00	2.13

### OPERATING TEMPERATURE - CORRECTION FACTORS - C<sub>OT</sub>

Inlet temperature [°C]	25	30	35	40	45	50	55	60
Inlet temperature [F]	77	86	95	104	113	122	131	140
Correction factor	1	1	1	0.97	0.87	0.80	0.64	0.51

### DEW POINT - CORRECTION FACTORS - C<sub>D</sub>

Inlet temperature [°C]	-25	-40	-70
Inlet temperature [F]	-13	-40	-94
Correction factor	1.1	1	0.7

Due to constan engineering improvements data is subject to change