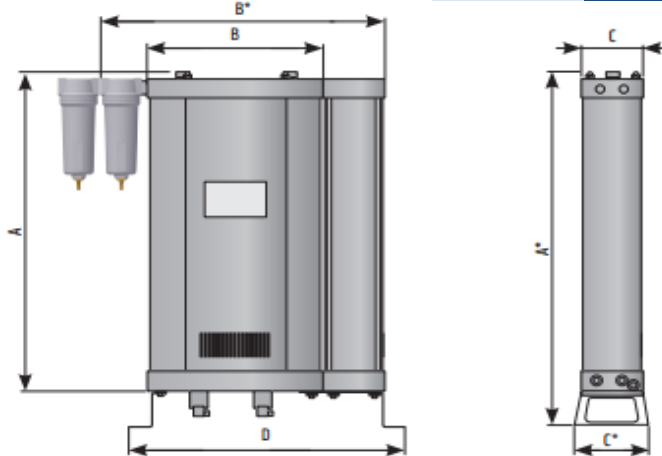


COAIRE

A-DRY BM

HEATLESS REGENERATION ADSORPTION COMPRESSED AIR DRYERS

operating pressure **4 to 16 bar**



INCLUDED

- pre-filter with automatic drain AOK 16B and manometer PDI 16 (are not mounted),
- after-filter with manual drain MCD and manometer PDI 16 (are not mounted),
- controller includes standard connection for dew point sensor (sensor is not included).

TECHNICAL DATA & PRICES

A-DRY BM MODEL	CODE	Connection IN/OUT [inch]	Nominal volume flow		Dimensions							Mass [kg]
			Inlet ¹ [Nm ³ /h]	Outlet ² [Nm ³ /h]	A [mm]	A* [mm]	B [mm]	B* [mm]	C [mm]	C* [mm]	D [mm]	
A-DRY BM 06	12000635	G3/8"	6	4.7	520	492	370	470	100	130	444	15
A-DRY BM 12	12000636	G3/8"	12	9.5	715	687	370	470	100	130	444	19.3
A-DRY BM 24	12000637	G3/8"	24	19	1105	1077	370	470	100	130	444	27.1
A-DRY BM 36	12000638	G3/8"	36	28.4	1495	1467	370	470	100	130	444	39.3
A-DRY BM 60	12000639	G1/2"	60	47.4	1105	1077	500	615	148	170	573	64.3
A-DRY BM 75	12000640	G1/2"	75	59.3	1300	1272	500	615	148	170	573	75.7
A-DRY BM 105	12000641	G3/4"	117	83	1700	1672	500	615	148	170	573	100
A-DRY BM 150	12000642	G1	150	118.5	1440	1440	440	948	148	170	573	243.6
A-DRY BM 200	12000643	G1	200	158	1655	1655	440	948	148	170	573	260.3

(¹) Refers to 1 bar(a) and 20 °C at 7 bar operating pressure, inlet temperature 35 °C and pressure dew point at outlet -40 °C

(²) Outlet flow refers to typical assumption during regeneration phase for operating at nominal inlet flow conditions. Outlet flow includes average air losses of approximately 17,3 %.

* If dryer is supplied without inlet filter compressed air class 1 (ISO 8753-1) for solid particles and oil should be provided to the inlet of the dryer.

OPTIONAL EQUIPMENT

EQUIPMENT TYPE	CODE
Dew point sensor Easidew	2505872
Dew point sensor measurement chamber	2505628
Output 4...20 mA	2506522
WebServer Access	2506523
A-DRY BI+BM 06-36 wall mounting kit	12001549
BM sensing panel	2001178



BM sensing panel

OPERATING PRESSURE - CORRECTION FACTORS - C_{OP}

Operating pressure [bar]	4	5	6	7	8	9	10	11	12	13	14	15	16
Operating pressure [psi]	58	72	87	100	115	130	145	160	174	189	203	218	232
Correction factor	0.63	0.75	0.88	1	1.13	1.25	1.38	1.50	1.63	1.75	1.88	2	2.13

OPERATING TEMPERATURE - CORRECTION FACTORS - C_{OT}

Inlet temperature [°C]	25	30	35	40	45	50
Correction factor	1.00	1.00	1.00	0.97	0.87	0.80

DEW POINT - CORRECTION FACTORS - C_D

[°C]	-25	-40	-70
C _D	1.1	1	0.7

Due to constan engineering improvements data is subject to change